

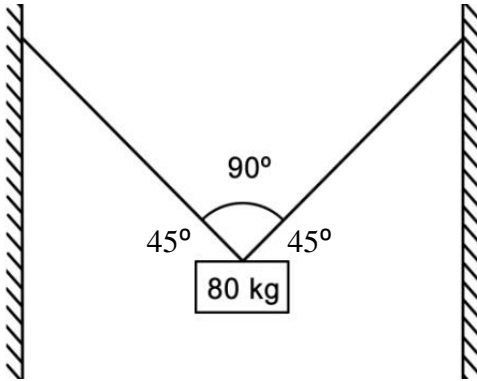
Name:

Period:

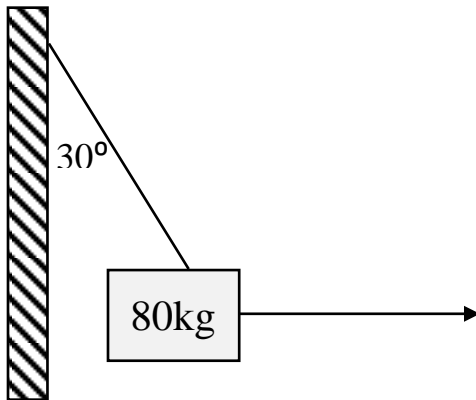
Tension Problems

Show all work. Circle your answer. $g = 9.81 \text{ m/s}^2$

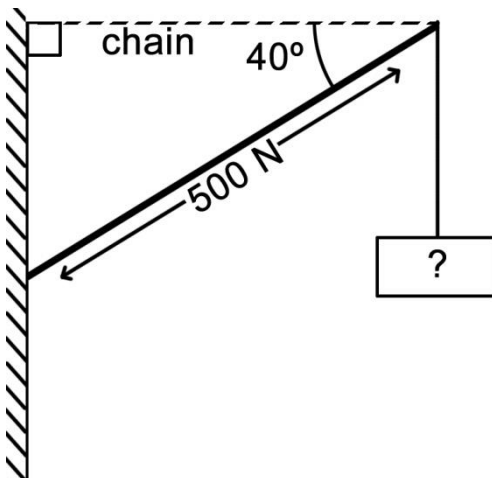
1. Find the tension in cables A and B if the mass of the sign is 80 kg?



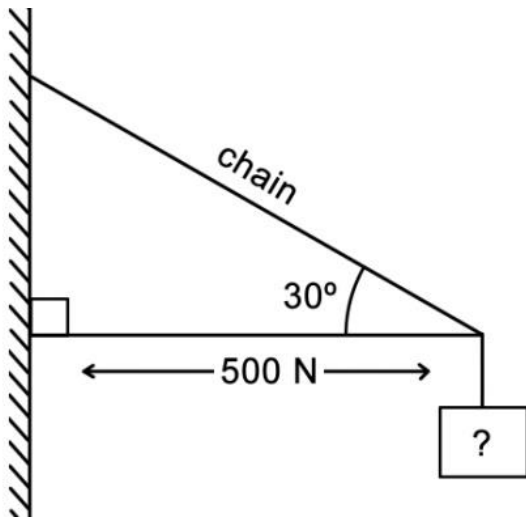
2. Find the tension in cables A and B if the mass of the sign is 80 kg?



3. What is the tension in the chain? What is the weight of the box? What is the mass of the box?



4. What are the weight and mass of the sign if the force in the bar is 500 N?



5. What is the tension on each cable if the gymnast has the same mass as you?

